

---

## F300 Lounge Chair - Front Upholstered

Designed by 'Pierre Paulin' - '1960'

---



---

ITEM NUMBER

F300 Lounge Chair - Front Upholstered 61529

DESCRIPTION

The F300 Lounge Chair expresses the playful side of the 1960s and '70s through its organic, curving shape and color palette. Visibly quirky and enticingly comfortable, the F300 became an instant icon, prized for its statement looks and tremendous versatility, complementing any interior space. The iconic design has now been responsibly upgraded using the fully recyclable engineered polymer HiREK®, crafted in Italy.

---

### Materials & Finishes

BASE FINISH

Alabaster White (PANTONE 12-0404 TPG), Pastel Green (PANTONE 15-1216 TPG)



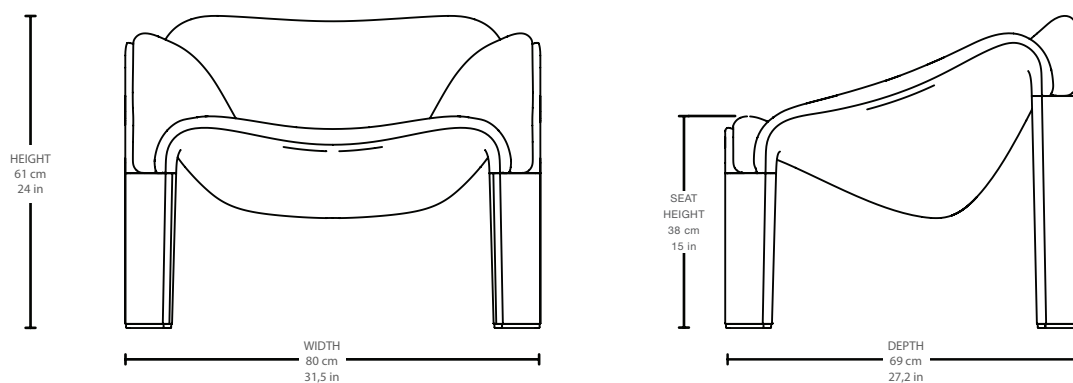
MATERIALS

HiREK®, Foam ( (CA TB 117-2013 Compliant)

---

## Dimensions

V



WIDTH 80 cm / 31,5 in

DEPTH 69 cm / 27,2 in

HEIGHT 61 cm / 24 in

SEAT HEIGHT 38 cm / 15 in

## Weight

TOTAL WEIGHT 14 kg / 30,87 lbs

---

## Upholstery Consumption

FABRIC

X 140 CM FABRIC WIDTH / X 55 IN FABRIC WIDTH

SEAT UPHOLSTERED 150 cm / 59,05 in

LEATHER

SEAT UPHOLSTERED 2,5 m<sup>2</sup> / 26,91 ft<sup>2</sup>

---

Number of parcels 1

PACKAGING LENGTH 85 cm / 33,47 in

PACKAGING WIDTH 74 cm / 29,14 in

PACKAGING HEIGHT 66 cm / 25,79 in

PACKAGING WEIGHT 0,80 kg / 1,77 lbs

GROSS WEIGHT 14,80 kg / 32,63 lbs

---

## Test & Certifications

---

SUSTAINABILITY

Hirek it is 100% recyclable. The internal part contains 20% to 30% of plastic material recycled from industrial waste.

---

## Glides

PLASTIC GLIDES

Included as standard

---

