
MR01 Initial Chair

Designed by Mathias Rasmussen - 2021



ITEM NUMBER

MR01 Initial Chair 24408

DESCRIPTION

Beautifully honest, light in both weight and expression, new Danish talent Mathias Steen Rasmussen's debut piece is a striking interplay of craftsmanship, comfort and sustainability. Originally conceived as a lounge chair that he could also use for meditation in his home, Rasmussen's combination of wood and rope creates a simple, flexible chair that gives a sense of both floating and connection with the ground. The open triangle frame, available in either walnut or FSC-certified oak, has been constructed without using a single screw, while the 90 meters of hand-woven, natural linen cord that make the seat and backrest add a lightness to the design. The MR01 Initial Chair can give comfort all year round. The rope construction allows airflow in the warmer months, and simply adding a blanket or sheepskin makes it cozy all through winter. For added comfort in many sitting positions, a bouclé wool covered pillow is included. The Initial chair can be placed alone or in pairs in the home, while it functions superbly in longer rows or clusters in hospitality settings. The simplicity of the MR01 Initial Chair's design and materials ensure it a longevity and durability that are central to Rasmussen's core philosophy.

Materials & Finishes

BASE FINISH

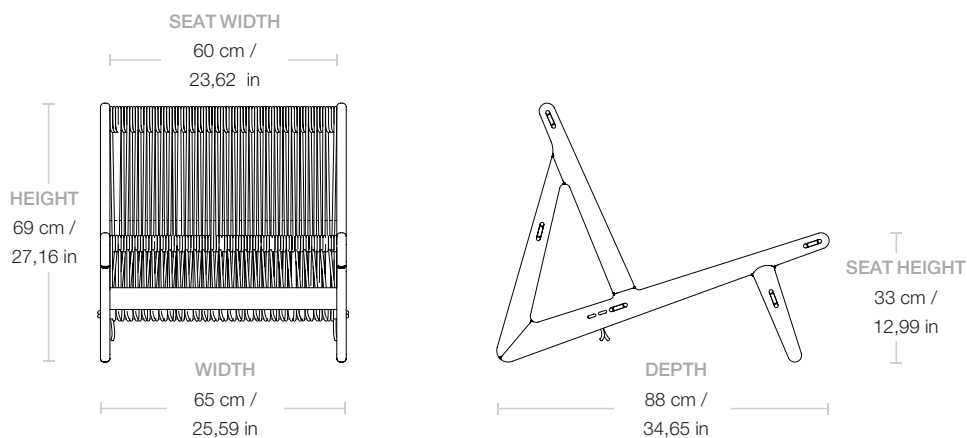
Oiled Oak, Oiled Walnut



MATERIALS

Solid Oak, Solid American Walnut, Linen Rope, Feather

Dimensions



WIDTH 65 cm / 25,59 in

DEPTH 88 cm / 34,65 in

HEIGHT 69 cm / 27,16 in

SEAT WIDTH 60 cm / 23,62 in

SEAT HEIGHT 33 cm / 12,99 in

Weight

TOTAL WEIGHT 10 kg / 22,04 lbs

Number of parcels 1

PACKAGING LENGTH 92 cm / 36,22 in

PACKAGING WIDTH	70 cm / 27,55 in
PACKAGING HEIGHT	76 cm / 29,92 in
PACKAGING WEIGHT	3,5 kg / 7,71 lbs
GROSS WEIGHT	13,5 kg / 29,76 lbs

Test & Certifications

FSC C176589	FSC® certified 100%
--------------------	---------------------

KEY FEATURES	A pillow included as standard
---------------------	-------------------------------
