



Ixa

Foster +  
Partners  
Industrial  
Design

Artemide®

# Authors

## **Foster + Partners Industrial Design**

Foster + Partners is an international studio for architecture, engineering and design, led by Founder and Chairman Norman Foster and a Partnership Board. Founded in 1967, the practice is characterised by its integrated approach to design, bringing together the depth of resources required to take on some of the most complex projects in the world. They have always had a strong interest in the making of things as an integral part of the design process, rooted in what they believe is a duty to design well and responsibly, whether that is at the scale of an airport or a door handle.

The practice has never drawn a distinction between architecture and industrial design. The point of contact, the thing that you touch, is as important as the broader vision. The industrial design team established in 1980, has developed a wide range of products from door handles to wind turbines; from a fountain pen to the cabin of an executive jet; from a tap to the fit-out of an ocean yacht. Frequently, products are designed in response to a particular project, but they also work directly with clients on product commissions or with companies to develop new products for commercial manufacture.



# Ixa

## Foster + Partners Industrial Design 2022

Ixa is a complete and transversal family composed through the combination of an adjustable spherical head, rods and counterweights. It is a smart and scalable principle that allows the Ixa family to expand with the addition of new versions.

Ixa is the expression of functional, productive and sustainable intelligence through deliberate choices of reduction and simplification, the result of a solid design know-how. Artemide and Foster + Partners Industrial Design share a profound approach to sustainable design that permeates product development at every stage and singles itself out as an essential element of the project.

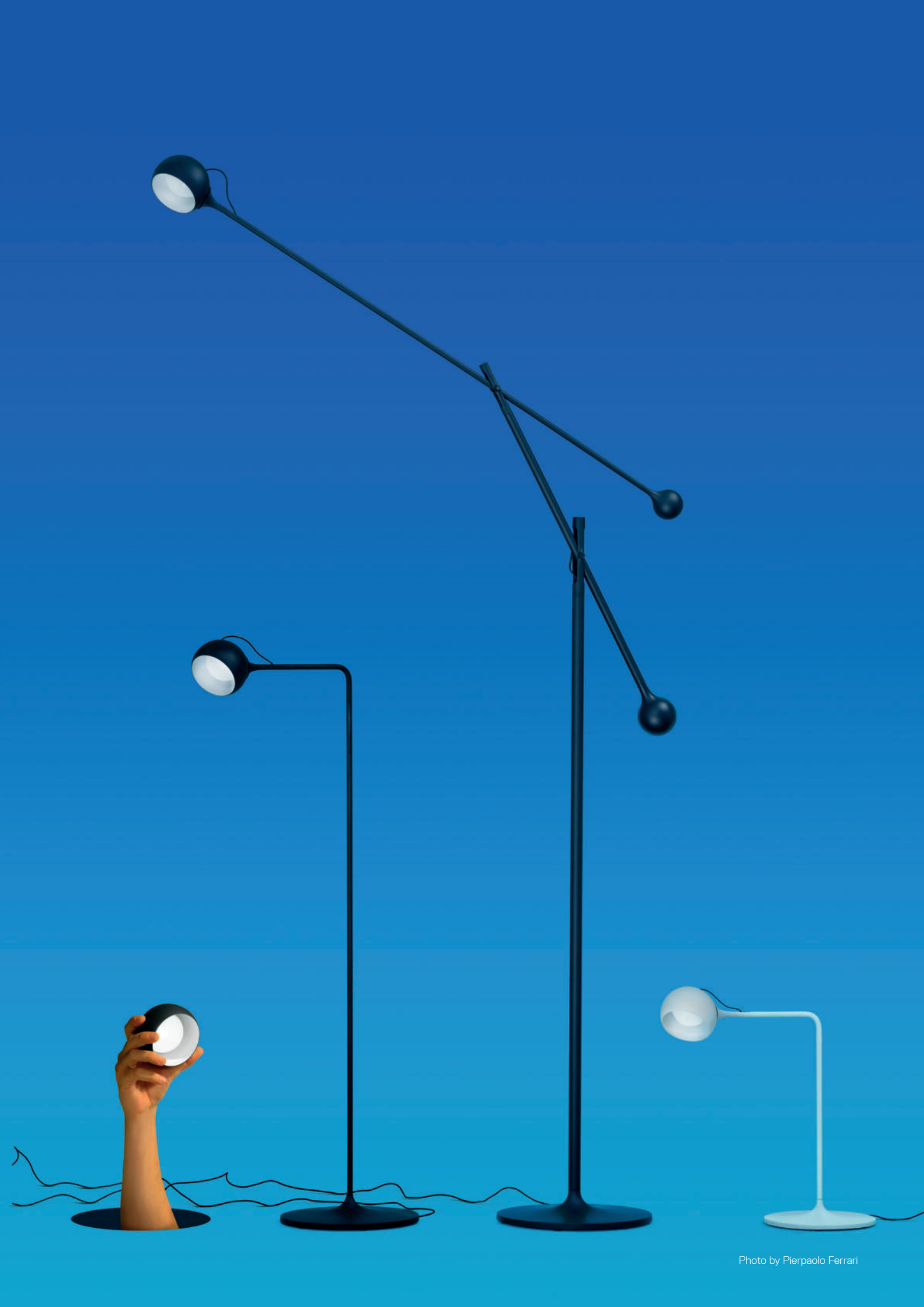
Ixa brings light to where it is needed, inviting us to physically interact with the object that makes us authors of our light space.

Inspired by Alexander Calder's dynamic sculptures, the design interprets the idea of "elegant balance" through precision engineering.

Flexibility and functionality, quality and dynamism of light, simple, soft lines, with a classic, simple look turn Ixa into a timeless project, which can be reinterpreted in countless situations for a long life, the basis of a sustainable project.



For further information on Ixa  
visit [artemide.com](https://www.artemide.com)





Ixa arm wall



Ixa table

- Anthracite
- Blue
- White/Grey
- Yellow



Ixa suspension



Ixa wall



Ixa floor



Ixa reading



## Ixa movement

Ixa head separates the electrical cable from the mechanism and is connected to the structure itself by a magnet that allows it to freely rotate a  $360^{\circ}$ , allowing its handy light to be projected in any direction.



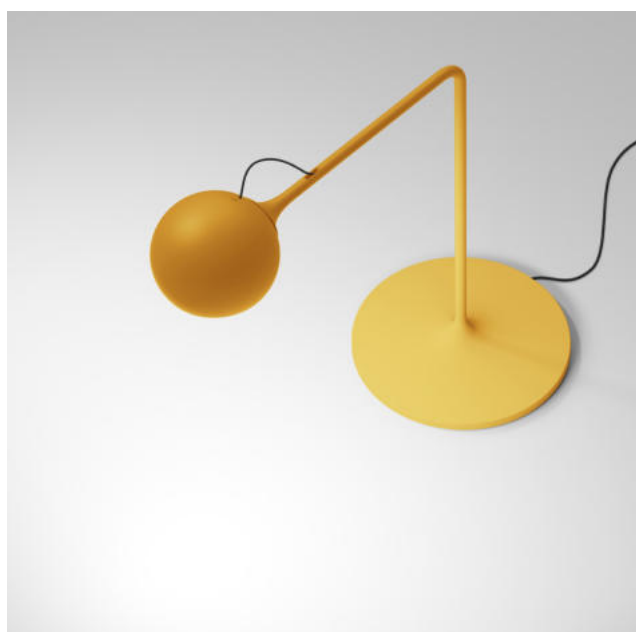
«Ixa has evolved through an intuitive design and making process. Slight variations in applied weight and movement have informed the lamp's dynamic design.

Ixa provides a flexible, highly personalised lighting experience.»

Mike Holland, Foster+Partners Industrial Design



# Ixa Table





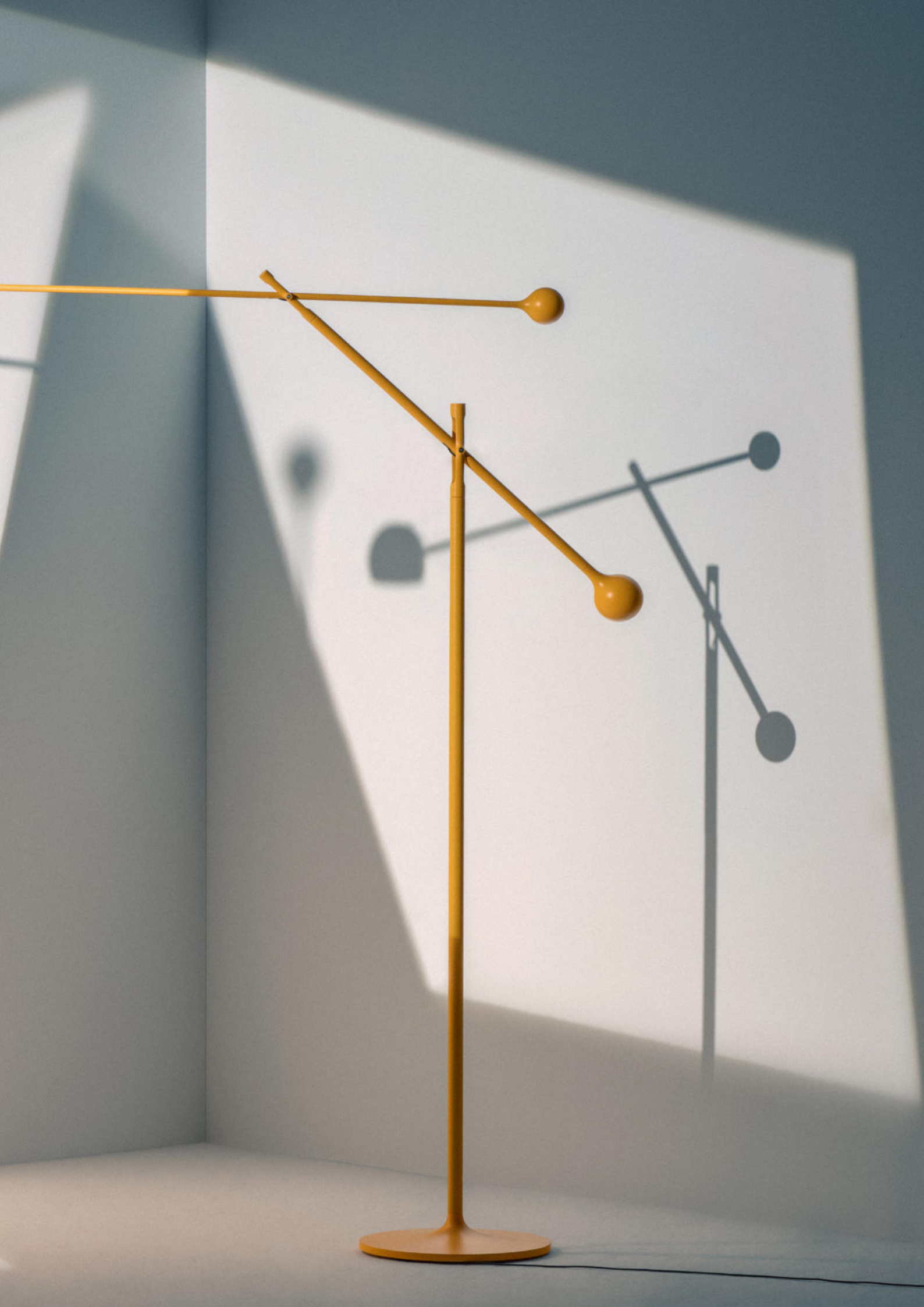
# Ixa Reading



# Ixa Floor









# Ixa Suspension







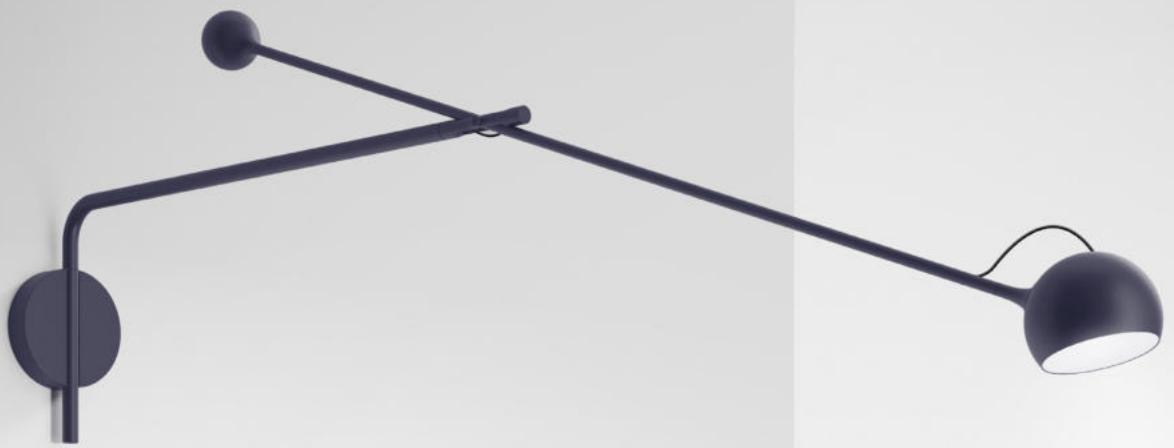


# Ixa Wall



# Ixa Arm Wall





# Ixa Wall Spot



# Ixa Wall Spot Plug



The solution with plug adds a functional detail: a small circular surface that helps define the path of the cable along the wall. A practical and visually appealing detail that defines Ixa Wall Spot in its interaction with the surrounding space.

# Ixa Wall Spot & Wall Spot Plug





# Ixa Family

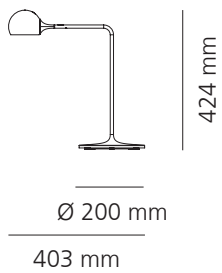
**Materials:** aluminum, steel, technopolymer.

Power: 9W  
Luminous Flux: 465 lm  
CCT: 3000K  
CRI=90

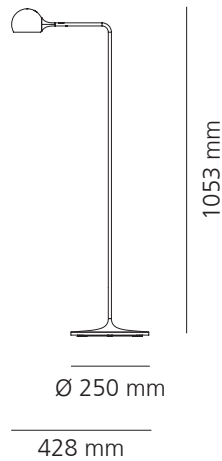
**Colours:**

- Anthracite
- Blue
- White/Grey
- Yellow

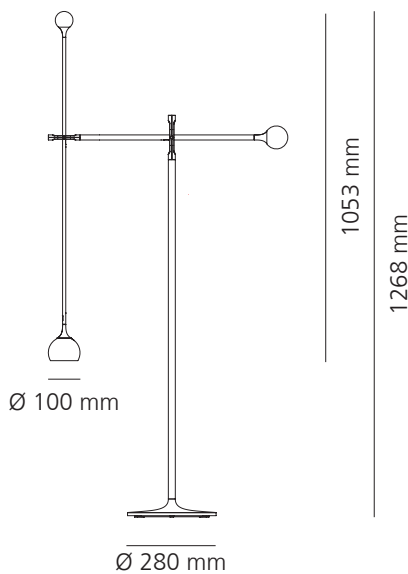
Ixa Table



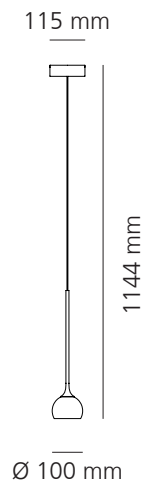
Ixa Reading



Ixa Floor



Ixa Suspension



#### IXA TABLE

Colour		Code
Anthracite	●	1110010A
Blue	●	1110030A
White/Grey	○	1110020A
Yellow	●	1110040A

#### IXA READING

Colour		Code
Anthracite	●	1112010A
Blue	●	1112030A
White/Grey	○	1112020A
Yellow	●	1112040A

#### IXA FLOOR

Colour		Code
Anthracite	●	1111010A
Blue	●	1111030A
White/Grey	○	1111020A
Yellow	●	1111040A

#### IXA SUSPENSION

Colour		Code
Anthracite	●	1112110A
Blue	●	1112130A
White/Grey	○	1112120A
Yellow	●	1112140A

# Ixa Family

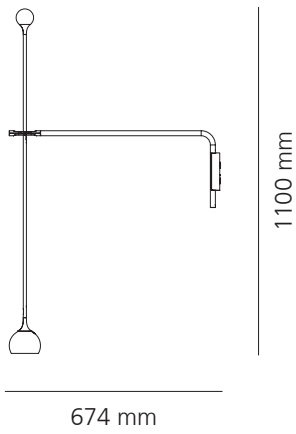
**Materials:** aluminum, steel, technopolymer.

Power: 9W  
Luminous Flux: 465 lm  
CCT: 3000K  
CRI=90

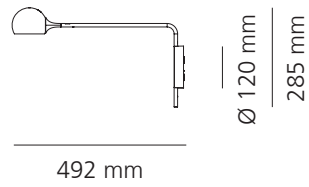
**Colours:**

- Anthracite
- Blue
- White/Grey
- Yellow

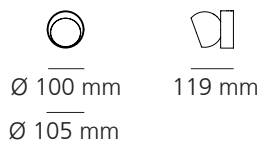
Ixa Arm Wall



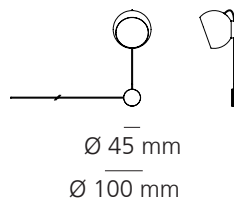
Ixa Wall



Ixa Wall Spot



Ixa Wall Spot Plug



### IXA ARM WALL

Colour	Code	Plug
Anthracite ●	1114010A	1114050A
Blue ●	1114030A	1114070A
White/Grey ○	1114020A	1114060A
Yellow ●	1114040A	1114080A

### IXA WALL

Colour	Code	Plug
Anthracite ●	1113010A	1113050A
Blue ●	1113030A	1113070A
White/Grey ○	1113020A	1113060A
Yellow ●	1113040A	1113080A

### IXA SPOT

Colour	Code	Plug
Anthracite ●	1119010A	1120010A
Blue ●	1119030A	1120030A
White/Grey ○	1119020A	1120020A
Yellow ●	1119040A	1120040A



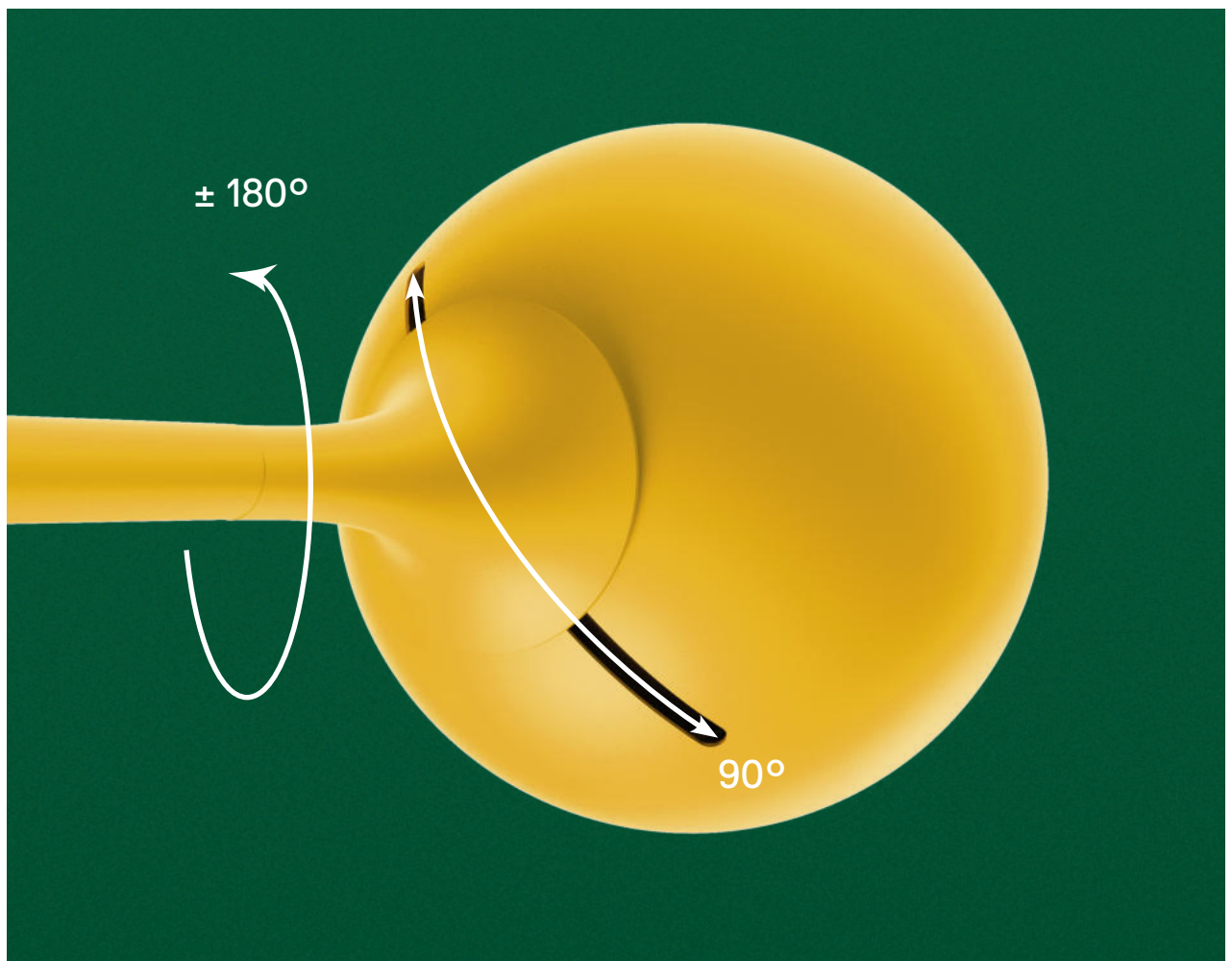
## Ixa XL

In Ixa XL a larger head is combined with two new structures, wall and ceiling, recalibrated to balance the weight and bring light into the space to respond to different lighting needs.

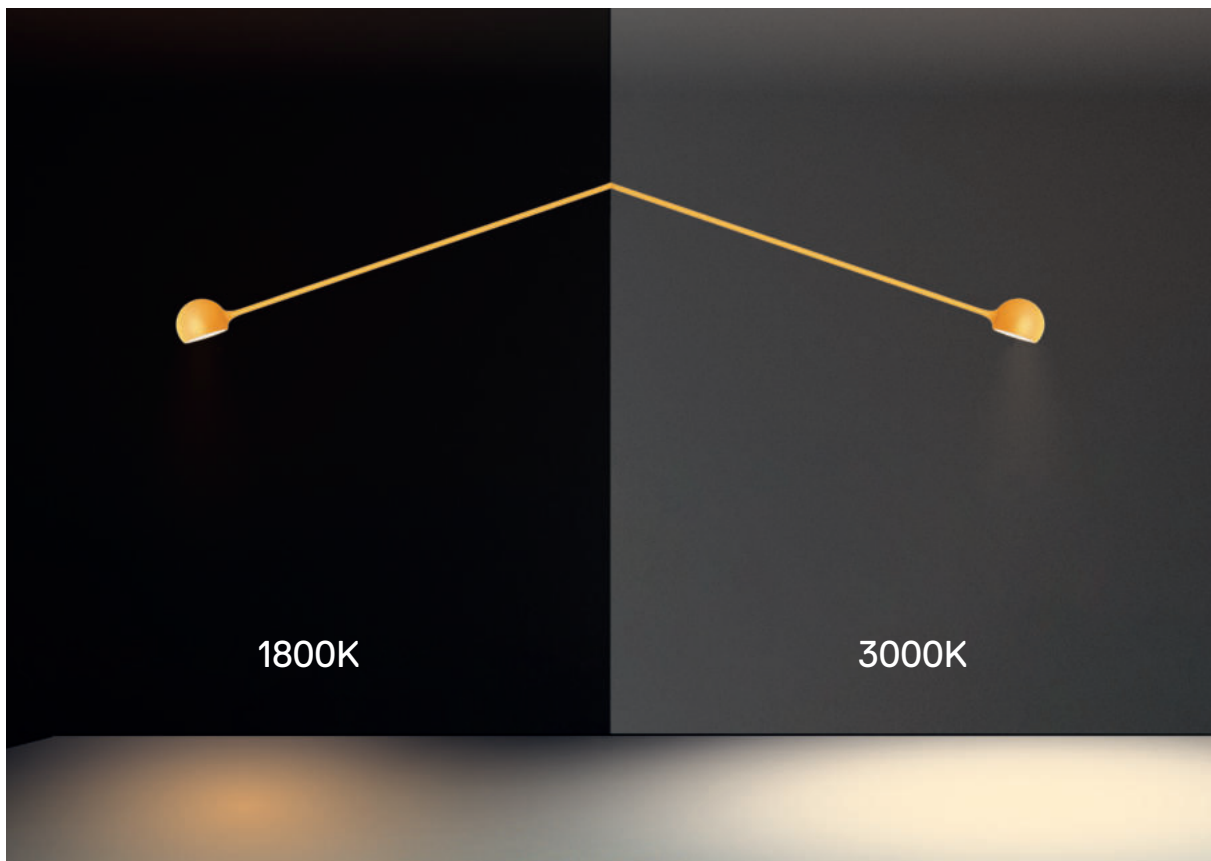
The larger size of the head hosts a lens that precisely controls the emitted beam and incorporates a dim to warm source, warming the colour temperature of the light as the intensity decreases.

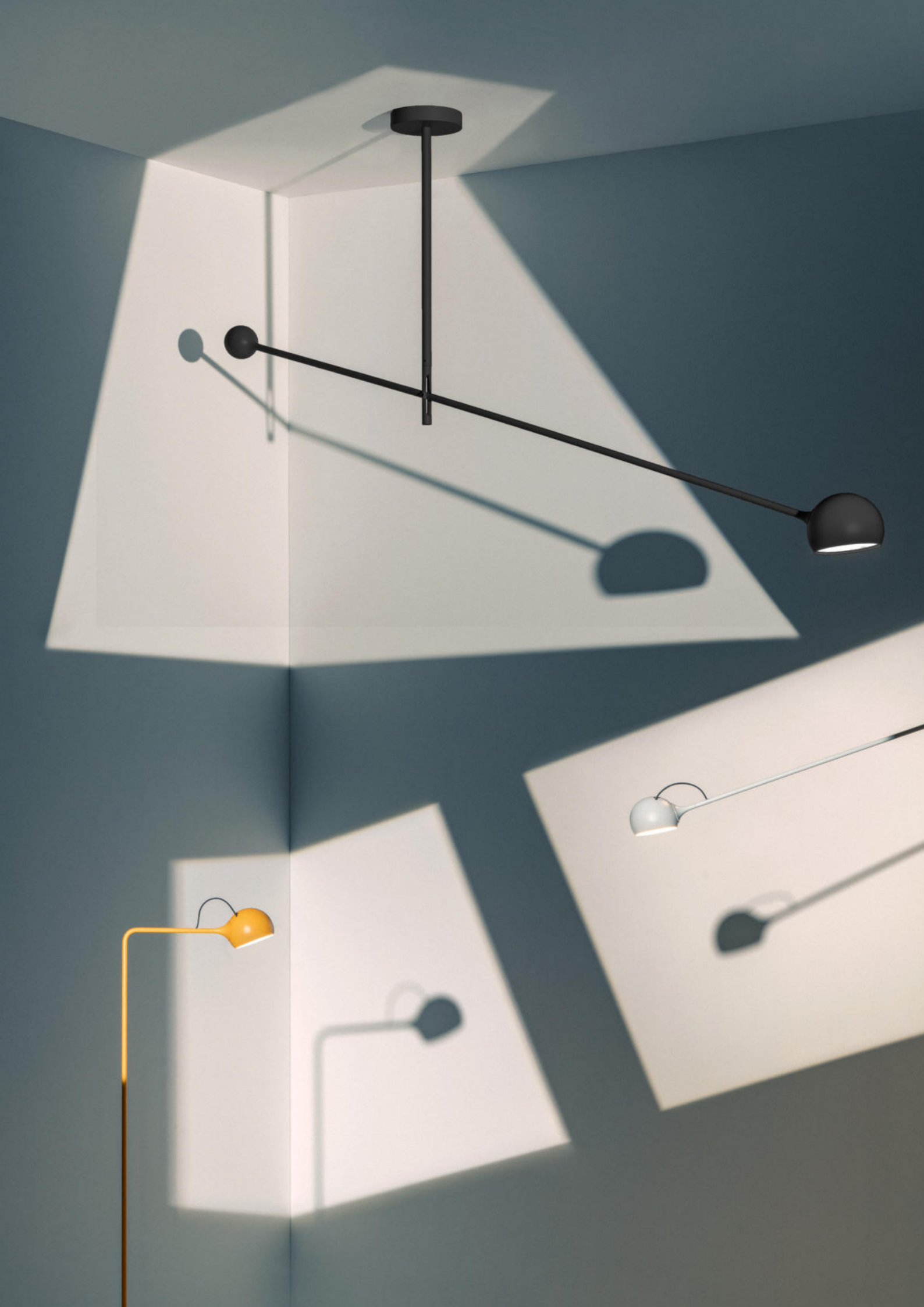
## Ixa XL head movement

The head does not have a magnetic connection like Ixa, but it slides and turns thanks to a calibrated mechanism. The product described is based on a mechanism that integrates two complementary movements. The first consists of a  $180^\circ$  rotation of the head on itself, allowing for extensive orientation flexibility. The second movement, at  $90^\circ$ , follows a designated line, ensuring precise positioning. This combination of movements enables high versatility, offering a wide range of configurations adaptable to various operational needs.



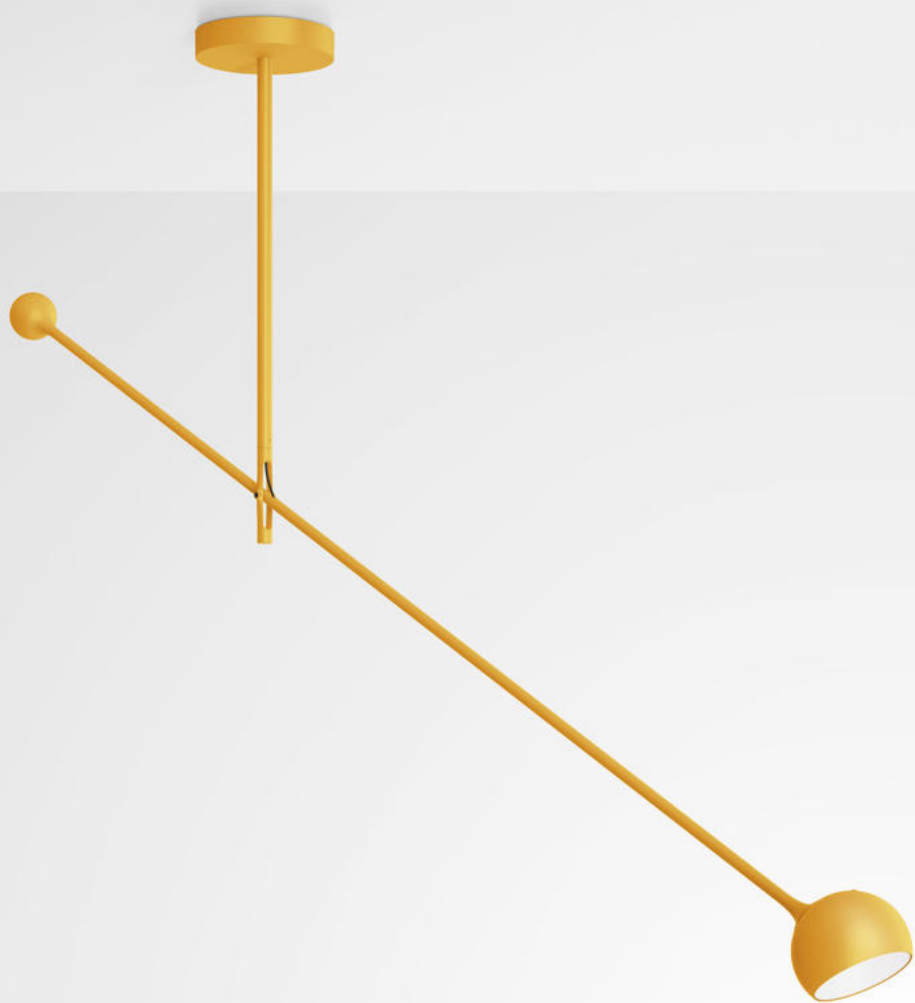
# Ixa XL dim to warm





# Ixa XL Ceiling

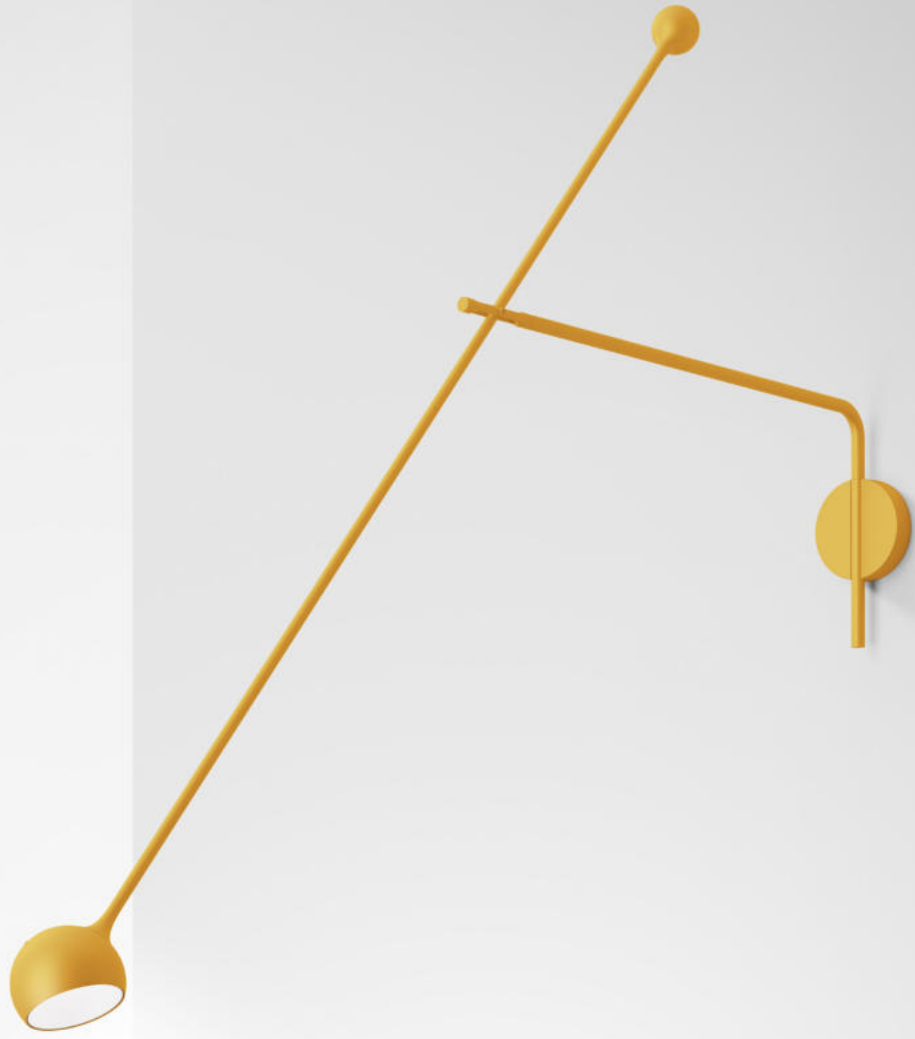




# Ixa XL Suspension







# Ixa XL Wall



# Ixa XL

**Materials:** aluminum, steel, technopolymer.

**Colours:**

- Anthracite
- Blue
- White/Grey
- Yellow

**Ixa XL Ceiling/Wall**

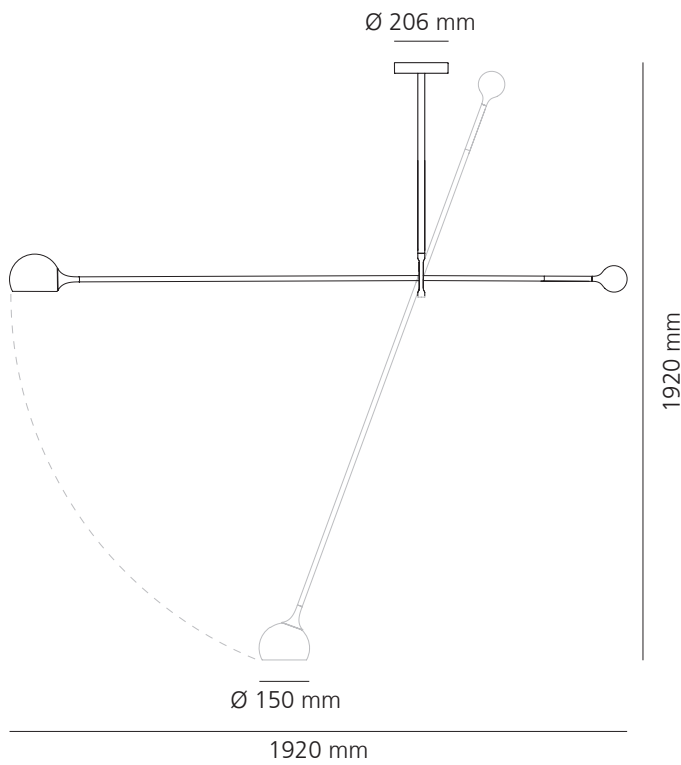
Power: 16W\*  
Luminous Flux: 725 lm\*  
CCT: 1800K - 3000K dim to warm  
CRI=90

\* 3000K values

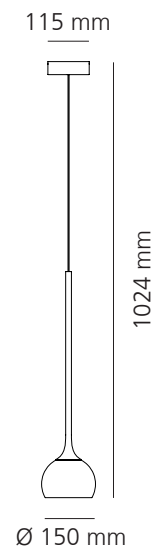
**Ixa XL Suspension**

Power: 14W  
Luminous Flux: 800 lm  
CCT: 3000K  
CRI=90

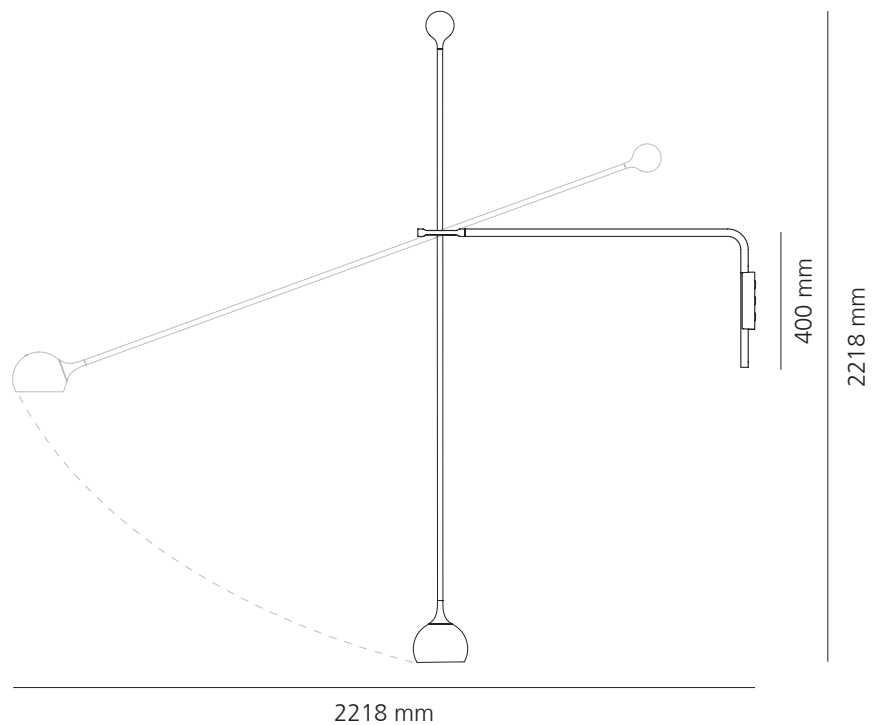
Ixa XL Ceiling



Ixa XL Suspension



Ixa XL Wall



### IXA XL CEILING

Colour		Code
Anthracite	●	1116010A
Blue	●	1116030A
White/Grey	○	1116020A
Yellow	●	1116040A

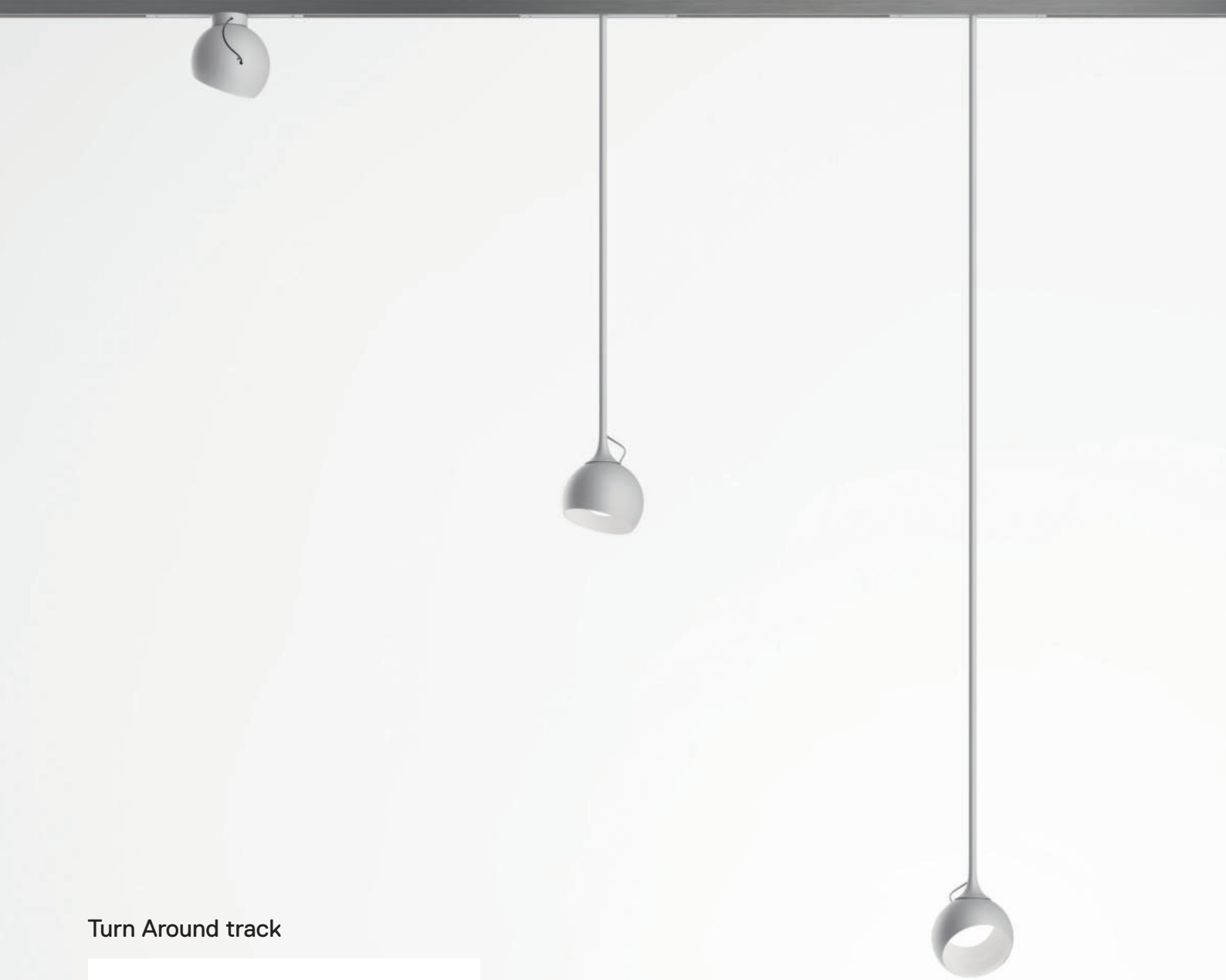
### IXA XL SUSPENSION

Colour		Code
Anthracite	●	1118010A
Blue	●	1118030A
White/Grey	○	1118020A
Yellow	●	1118040A

### IXA XL WALL

Colour		Code	Plug Code
Anthracite	●	1115010A	1117010A
Blue	●	1115030A	1117030A
White/Grey	○	1115020A	1117020A
Yellow	●	1115040A	1117040A

# Ixa Turn Around



Turn Around track

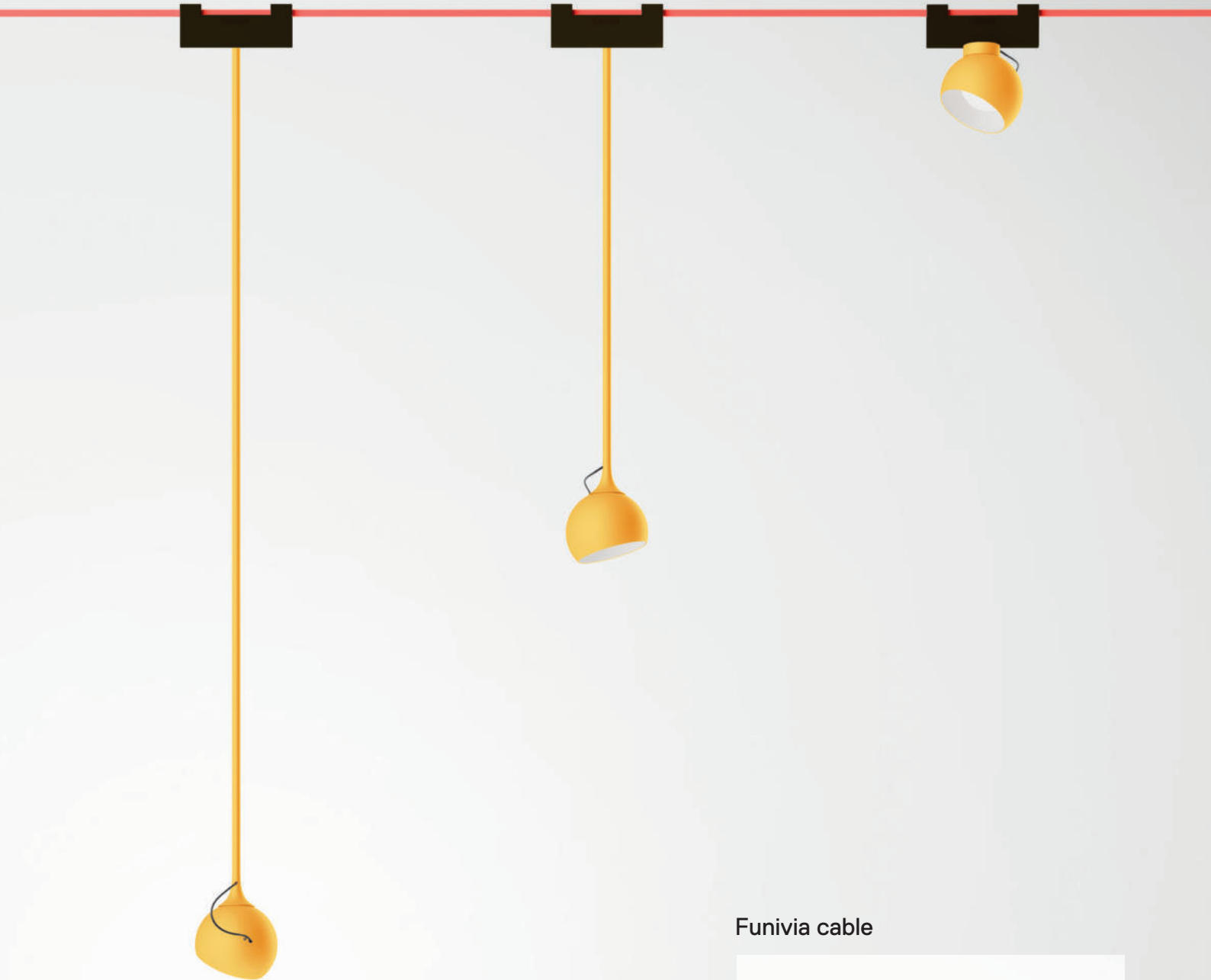


● Titanium



For further information on Turn Around  
visit [artemide.com](http://artemide.com)

# Ixa Funivia



Funivia cable



For further information on Funivia  
visit [artemide.com](http://artemide.com)

- White
- Black
- Red

# Ixa Appliance

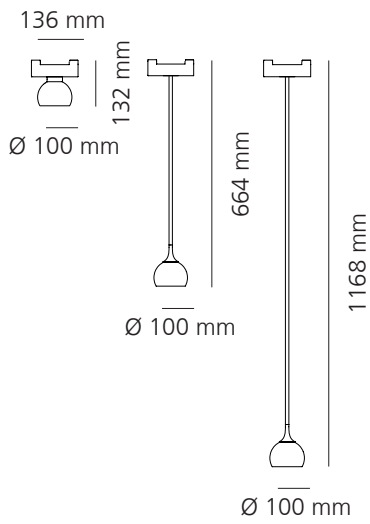
**Materials:** aluminum, steel, technopolymer.

Power: 9W  
Luminous Flux: 465 lm  
CCT: 3000K  
CRI=90

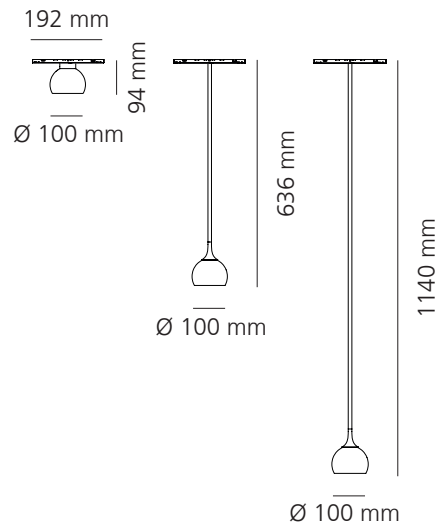
**Colours:**

- Anthracite
- Blue
- White/Grey
- Yellow

Ixa Suspension Funivia



Ixa Suspension Turn Around



### IXA SUSPENSION FUNIVIA

	Colour		Code	APP
132 mm	Anthracite	●	FS10104	FS10104APP
	Blue	●	FS10106	FS10106APP
	White/Grey	○	FS10101	FS10101APP
	Yellow	●	FS10105	FS10105APP
	Anthracite	●	FS10204	FS10204APP
663 mm	Blue	●	FS10206	FS10206APP
	White/Grey	○	FS10201	FS10201APP
	Yellow	●	FS10205	FS10205APP
	Anthracite	●	FS10304	FS10304APP
	Blue	●	FS10306	FS10306APP
1140 mm	White/Grey	○	FS10301	FS10301APP
	Yellow	●	FS10305	FS10305APP

### IXA SUSPENSION TURN AROUND

	Colour		Code
132 mm	Anthracite	●	TC81004
	Blue	●	TC81006
	White/Grey	○	TC81001
	Yellow	●	TC81005
	Anthracite	●	TC81104
663 mm	Blue	●	TC81106
	White/Grey	○	TC81101
	Yellow	●	TC81105
	Anthracite	●	TC81204
	Blue	●	TC81206
1140 mm	White/Grey	○	TC81201
	Yellow	●	TC81205

## Headquarters

### Artemide S.p.A.

Via Bergamo, 18  
20006 Pregnana Milanese (MI), Italy  
Tel. +39 02 93518.1  
Tel. +39 02 93526.1  
Numero verde 800 834 093  
(from Italy only)  
info@artemide.com  
artemide.com

### Artemide S.p.A.

si riserva la facoltà di modificare, in qualunque momento e senza preavviso, le caratteristiche tecniche degli elementi illustrati nel presente catalogo.

### Artemide S.p.A.

reserves the right to change, at any time and without prior warning, the technical specifications of any product illustrated in this catalogue.

### Artemide S.p.A.

se réserve le droit de modifier, à n'importe quel moment et sans préavis, les caractéristiques techniques des éléments illustrés dans ce catalogue.

### Artemide S.p.A.

behält sich das Recht vor jederzeit und ohne Ankündigung die technischen Daten der im Katalog abgebildeten Produkte zu ändern.

### Artemide S.p.A.

se reserva la facultad de modificar, en cualquier y sin aviso previo, las características técnicas de los elementos ilustrados en el presente catálogo.