

Technical description

1.Desks

1.1. Table top

Fixed and sliding table tops – made of melamine faced chipboard (MFC), thickness 25 mm or 19 mm, with 2 mm edge in glue technology as standard, or laser edge as an option. 3 mm edge in glue technology or laser edge, both as an option, applicable to table top thickness 25 mm. Available shapes for fixed table tops: rectangular, double wave or L-shape; for sliding table tops: rectangular.

Grommets and media ports (in various types and configurations) are an integral part of product and don't need to be ordered separately – available as an option.

1.2. Base

T-legs with electric height adjustment – three-segment angular columns made of steel profile – dimensions: 70 × 70 mm, 65 × 65 mm, 60 × 60 mm, from bottom to top respectively. Each column is equipped with a drive connected with control box. Available plug standards: European (EU), British (GB), and Swiss (CH).

Control panels for height adjustment:

- up&down button as standard,
- control panel with display and memory function (4 positions), as an option.

Anti-Collision function (with external gyro sensor) – while moving part of the desk (table top) hits an obstacle, table top stops and reverses to safe position. Function available as standard.

Foot types:

- foot EM 1 (rectangular ends, with plastic caps),
- foot EM 2 (rounded ends, without plastic caps),
- foot EM 3 (tapering off with rounded ends, without plastic caps).

Feet are equipped with levelling glides, levelling in range of 10 mm.

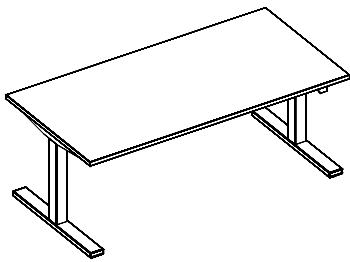
Fixed frame – welded frame for sliding table tops, screwed frame for fixed table tops.

Desk base divider – recommended to use for safety reasons, when making linear arrangement of two or more desks with height adjustment. Distance between table tops: 25 mm.

Finish options: powder-coated in White aluminium (RAL 9006), Jet black (RAL 9005) or Pure white (RAL 9010).

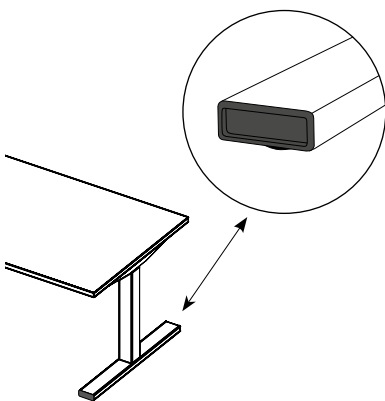
1.3 Product range

Bases

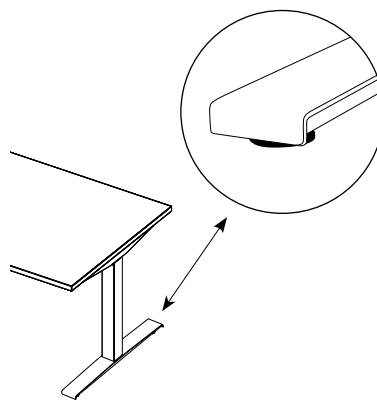


T-legs with electric height adjustment

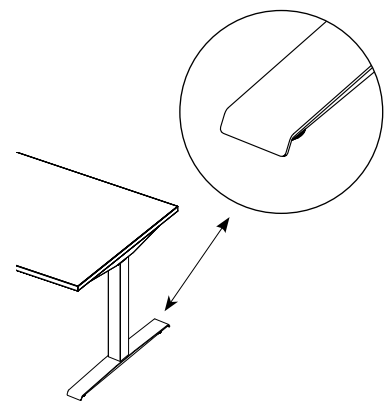
Foot types:



Foot type EM 1



Foot type EM 2

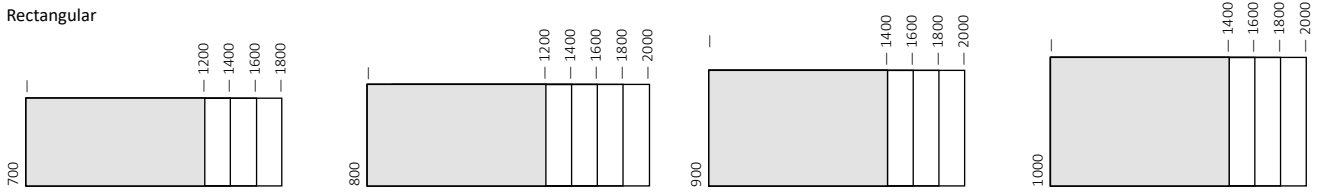


Foot type EM 3

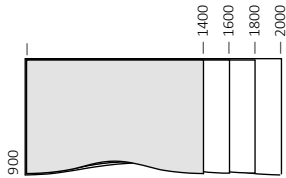
Technical description

Table tops:

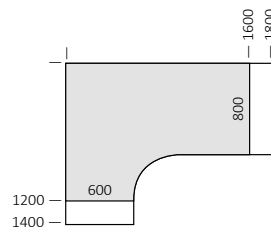
Rectangular



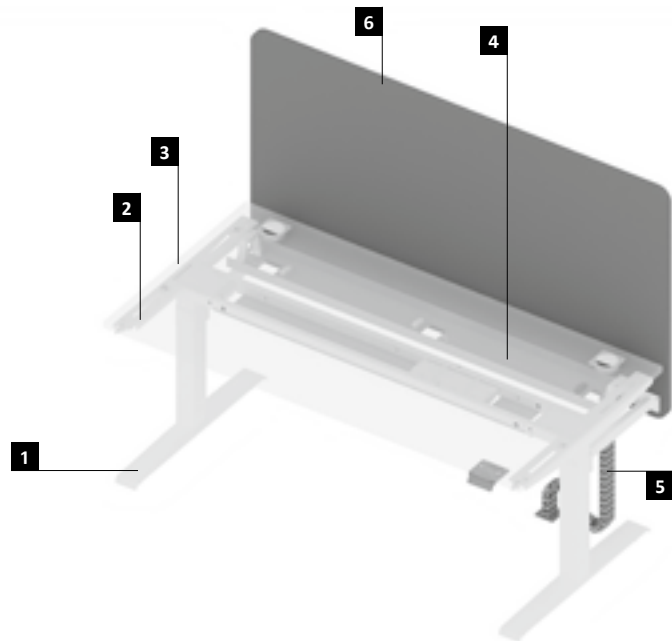
Double wave



L-shape



- 1** T-leg with electric height adjustment
- 2** Frame – sliding table tops
- 3** Table top
- 4** Horizontal wire trunking
- 5** Vertical wire trunking – flexible spring
- 6** Upper desk panel, fully upholstered, front



Technical description

2. Conference tables

2.1. Table top

Fixed table tops – made of melamine faced chipboard (MFC), thickness 25 mm or 19 mm, with 2 mm edge in glue technology as standard, or laser edge as an option. 3 mm edge in glue technology or laser edge, both as an option, applicable to table top thickness 25 mm. Available shape: barrel in following dimensions 1600, 1800, 2000 mm × 800/900 mm. Grommets and media ports (in various types and configurations) are an integral part of product and don't need to be ordered separately – available as an option.

2.2 Base

T-legs with electric height adjustment – three-segment angular columns made of steel profile – dimensions: 70 × 70 mm, 65 × 65 mm, 60 × 60 mm, from bottom to top respectively. Each column is equipped with a drive connected with control box. Available plug standards: European (EU), British (GB), and Swiss (CH). **Control panels for height adjustment:**

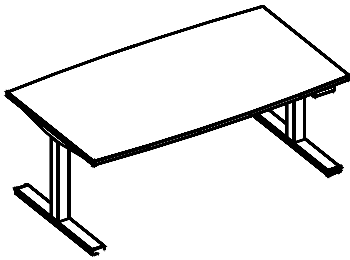
- up&down button as standard,
- control panel with display and memory function (4 positions), as an option.

Anti-Collision function (with external gyro sensor) – while moving part of the desk (table top) hits an obstacle, table top stops and reverses to safe position. Function available as standard.

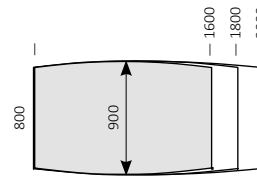
Foot types:

- foot EM 1 (rectangular ends, with plastic caps),
 - foot EM 2 (rounded ends, without plastic caps),
 - foot EM 3 (tapering off with rounded ends, without plastic caps).
- Feet are equipped with levelling glides, levelling in range of 10 mm.
- Fixed frame** – welded frame for sliding table tops, screwed frame for fixed table tops. Finish options: powder-coated in White aluminium (RAL 9006), Jet black (RAL 9005) or Pure white (RAL 9010).

2.3 Product range



T-legs with electric height adjustment



Barrel-shape table top

3. Workbenches

3.1 Table top

Fixed and sliding table tops – made of melamine faced chipboard (MFC), thickness 25 mm or 19 mm, with 2 mm edge in glue technology as standard, or laser edge as an option. 3 mm edge in glue technology or laser edge, both as an option, applicable to table top thickness 25 mm. Available shape: rectangular in wide range of dimensions.

Grommets and media ports (in various types and configurations) are an integral part of product and don't need to be ordered separately – available as an option.

3.2 Base

H-legs with electric height adjustment – three-segment angular columns made of steel profile – dimensions 70 × 70 mm, 65 × 65 mm, 60 × 60 mm from bottom to top respectively equipped with adapter and levelling glides, levelling in range of 10 mm. Columns are connected with crossbeam, made of steel profile 60 × 60 mm with a clamp. Each column is equipped with a drive connected with control box. Available plug standards: European (EU), British (GB), and Swiss (CH).
Control panels for height adjustment:

- up&down button as standard,
- control panel with display and memory function (4 positions), as an option.

Anti-Collision function (with external gyro sensor) – while moving part of the desk (table top) hits an obstacle, table top stops and reverses to safe position. Function available as standard.

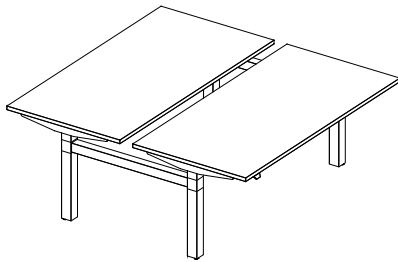
Fixed frame – welded frame for sliding table tops, screwed frame for fixed table tops.

Workbench base divider – recommended to use for safety reasons, when making linear arrangement of two or more workbenches with height adjustment. Distance between table tops: 25 mm

Finish options: powder-coated in White aluminium (RAL 9006), Jet black (RAL 9005) or Pure white (RAL 9010).

3.3 Product range

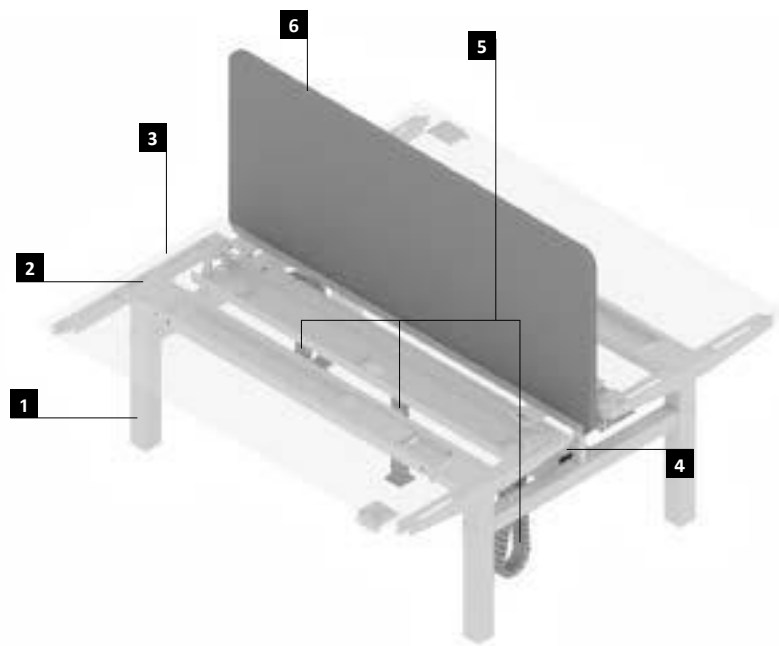
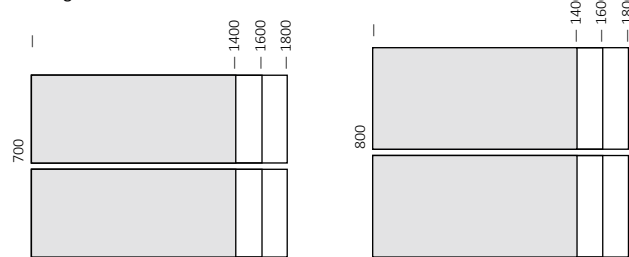
Bases



H-legs with electric height adjustment

Table tops:

Rectangular



- 1 H-leg with electric height adjustment
- 2 Frame – sliding table top
- 3 Table top
- 4 Horizontal wire trunking – shared
- 5 Vertical wire trunking – flexible modular, shared
- 6 Upper workbench panel, fully upholstered, high

Technical description

	ADJUSTMENT RANGE	
	DESKS AND CONFERENCE TABLES ON T-LEG BASE (FOOT EM 1, EM 2, EM 3)	WORKBENCH ON H-LEG BASE
Electric height adjustment with table top thickness 25 mm	650–1300 mm	650–1300 mm
Electric height adjustment with table top thickness 19 mm	644–1294 mm	644–1294 mm

Technical parameters:

- Anti-Collision technology with gyro sensor,
- protection against overheating,
- smooth start & stop,
- smooth up & down movement,
- speed 38 mm/s,
- noise < 45 dB,
- power consumption in standby mode < 0.3 W,
- load capacity 100 kg per table top/two columns,
- maximum stroke 650 mm,
- AC alternating current drive power supply.

4. Table top finishes combinations

		TABLE TOP FINISH – MELAMINE THICKNESS 19 MM											
		BI	CC	MB	MP	MS	NB	NH	NJ	NL	NZ	NT	
EDGE FINISH – ABS	2 MM LASER	BI	o	o	o	o	o	o	o	o	o	o	o
		MB	o	o	o	o	o	o	o	o	o	o	o
		MP	o	o	o	o	o	o	o	o	o	o	o
		NH	o	o	o	o	o		o				
		NJ	o	o	o	o	o			o			
	2 MM GLUE TECHNOLOGY	BI	o	o	o	o	o	o	o	o	o	o	o
		CC	o	o	o	o	o	o	o	o	o	o	o
		MB	o	o	o	o	o	o	o	o	o	o	o
		MP	o	o	o	o	o	o	o	o	o	o	o
		MS	o	o	o	o	o	o	o	o	o	o	o
		NB	o	o	o	o	o	o		o			
		NH	o	o	o	o	o		o				
		NJ	o	o	o	o	o			o			
		NL	o	o	o	o	o				o		
NZ	o	o	o	o	o					o			
NT	o	o	o	o	o						o		

Technical description

		TABLE TOP FINISH – MELAMINE THICKNESS 25 MM																					
		BI	BZ	CC	MB	MP	MS	NM	NS	NR	NU	NA	NB	NC	NH	NJ	NL	NZ	NT	NV	NP	MK	
EDGE FINISH – ABS	2 MM AND 3 MM LASER	BI	o	o	o	o	o	o	o	o	o	o	o	o	o	o	o	o	o	o	o	o	
		MB	o	o	o	o	o	o	o	o	o	o	o	o	o	o	o	o	o	o	o	o	o
		MP	o	o	o	o	o	o	o	o	o	o	o	o	o	o	o	o	o	o	o	o	o
		NB	o	o	o	o	o	o	o	o	o	o	o	o	o	o	o	o	o	o	o	o	o
		NH	o	o	o	o	o	o	o	o	o	o	o	o	o	o	o	o	o	o	o	o	o
		NJ	o	o	o	o	o	o	o	o	o	o	o	o	o	o	o	o	o	o	o	o	o
	2 MM GLUE TECHNOLOGY	BI	o	o	o	o	o	o	o	o	o	o	o	o	o	o	o	o	o	o	o	o	o
		MB	o	o	o	o	o	o	o	o	o	o	o	o	o	o	o	o	o	o	o	o	o
		MP	o	o	o	o	o	o	o	o	o	o	o	o	o	o	o	o	o	o	o	o	o
		BZ	o	o	o	o	o	o	o	o	o	o	o	o	o	o	o	o	o	o	o	o	o
		CC	o	o	o	o	o	o	o	o	o	o	o	o	o	o	o	o	o	o	o	o	o
		MS	o	o	o	o	o	o	o	o	o	o	o	o	o	o	o	o	o	o	o	o	o
		NM	o	o	o	o	o	o	o	o	o	o	o	o	o	o	o	o	o	o	o	o	o
		NS	o	o	o	o	o	o	o	o	o	o	o	o	o	o	o	o	o	o	o	o	o
		NR	o	o	o	o	o	o	o	o	o	o	o	o	o	o	o	o	o	o	o	o	o
		NU	o	o	o	o	o	o	o	o	o	o	o	o	o	o	o	o	o	o	o	o	o
		NA	o	o	o	o	o	o	o	o	o	o	o	o	o	o	o	o	o	o	o	o	o
		NB	o	o	o	o	o	o	o	o	o	o	o	o	o	o	o	o	o	o	o	o	o
		NC	o	o	o	o	o	o	o	o	o	o	o	o	o	o	o	o	o	o	o	o	o
		NH	o	o	o	o	o	o	o	o	o	o	o	o	o	o	o	o	o	o	o	o	o
		NJ	o	o	o	o	o	o	o	o	o	o	o	o	o	o	o	o	o	o	o	o	o
		NL	o	o	o	o	o	o	o	o	o	o	o	o	o	o	o	o	o	o	o	o	o
		NZ	o	o	o	o	o	o	o	o	o	o	o	o	o	o	o	o	o	o	o	o	o
		NT	o	o	o	o	o	o	o	o	o	o	o	o	o	o	o	o	o	o	o	o	o
	NV	o	o	o	o	o	o	o	o	o	o	o	o	o	o	o	o	o	o	o	o	o	
	NP	o	o	o	o	o	o	o	o	o	o	o	o	o	o	o	o	o	o	o	o	o	
	MK	o	o	o	o	o	o	o	o	o	o	o	o	o	o	o	o	o	o	o	o	o	
3 MM GLUE TECHNOLOGY	BI	o	o	o	o	o	o	o	o	o	o	o	o	o	o	o	o	o	o	o	o	o	
	MB	o	o	o	o	o	o	o	o	o	o	o	o	o	o	o	o	o	o	o	o	o	
	MP	o	o	o	o	o	o	o	o	o	o	o	o	o	o	o	o	o	o	o	o	o	
	NH	o	o	o	o	o	o	o	o	o	o	o	o	o	o	o	o	o	o	o	o	o	
	NB	o	o	o	o	o	o	o	o	o	o	o	o	o	o	o	o	o	o	o	o	o	
	NJ	o	o	o	o	o	o	o	o	o	o	o	o	o	o	o	o	o	o	o	o	o	
	NT	o	o	o	o	o	o	o	o	o	o	o	o	o	o	o	o	o	o	o	o	o	
	MK	o	o	o	o	o	o	o	o	o	o	o	o	o	o	o	o	o	o	o	o	o	

Technical description

5. Grommets and media ports

Grommet – made of plastic in aluminium (AU), white (W) or black (B) colour. Dedicated to all types of desks, workbenches and conference tables. Grommet dimensions: 90 × 90 mm. Cut out dimensions: Ø 80 mm.

Rectangular outlet with brush – made of aluminium powder-coated in aluminium (AL), white (WH) or black (BL) colour. Dedicated to desks, workbenches and conference tables. Outlet dimensions: 300 × 130 mm. Cut out dimensions: 280 × 110 mm.

Media ports – POWERDOT 1M DI80, POWER FRAME 3M, (included). Ø 80 mm media ports available on request: Netbox Point, Pixel, miniBatt Fs80 wireless charger (to be ordered separately).

Note: more details in grommets and media ports positioning matrix on p. 8-10

5.1. Grommets and media ports for desks and Workbench

Media ports available for fixed table tops only.

③ – Metal elements finish:
 WT – Traffic white (RAL 9016)
 AL – White aluminium (RAL 9006)
 BL – Jet black (RAL 9005)

④ – Plastic element finish:
 W – white
 AU – aluminium
 B – black

		Grommets / media ports position			
		Plastic square grommet with round outlet Ø80 (QC)	Metal rectangular cable outlet with brush (QE)	Media port Power Frame 3M	Media port Powerdot 1M
		QC-④	QE-③	YD ●●●	YO ●●●
Left					
		QC-④/0/0	QE-③/0/0	YD●●●/0/0	YO●●●/0/0
Middle					
		0/QC-④/0	0/QE-③/0	0/YD●●●/0	0/YO●●●/0
Right					
		0/0/QC-④	0/0/QE-③	0/0/YD●●●	0/0/YO●●●
Left + middle	QC-④				
		QC-④/QC-④/0	QE-③/QC-④/0	YD●●●/QC-④/0	YO●●●/QC-④/0
	QE-③				
		QC-④/QE-③/0	QE-③/QE-③/0	YD●●●/QE-③/0	YO●●●/QE-③/0
	YD ●●●				
		QC-④/YD●●●/0	QE-③/YD●●●/0		
	YO ●●●				
		QC-④/YO●●●/0	QE-③/YO●●●/0		

Technical description

		Grommets / media ports position				
		Plastic square grommet with round outlet Ø80 (QC)	Metal rectangular cable outlet with brush (QE)	Media port Power Frame 3M	Media port Powerdot 1M	
		QC-④	QE-③	YD ●●●	YO ●●●	
Left + right	QC-④					
		QC-④/0/QC-④	QC-③/0/QC-④	YD●●●/0/QC-④	YO●●●/0/QC-④	
	QE-③					
		QC-④/0/QC-③	QE-③/0/QE-③	YD●●●/0/QE-③	YO●●●/0/QC-③	
	YD ●●●			/		
		QC-④/0/YD●●●	QE-③/0/YD●●●			
	YO ●●●					
		QC-④/0/YO●●●	QE-③/0/YO●●●			
Middle + Right	QC-④		/			
		0/QC-④/QC-④				
	QE-③					
		0/QC-③/QC-③				
	YD ●●●					
		0/QC-④/YD●●●				
	YO ●●●					
		0/QC-③/YO●●●				

Technical description

eModel 2.0

		Grommets / media ports position			
		Plastic square grommet with round outlet Ø80 (QC)	Metal rectangular cable outlet with brush (QE)	Media port Power Frame 3M	Media port Powerdot 1M
		QC-④	QE-③	YD ●●●	YO ●●●
Left + middle + right	QC-④		/		
		QC-④/QC-④/QC-④		YD●●●/QC-④/QC-④	YO●●●/QC-④/QC-④
	QE-③	/			
			QC-③/QC-③/QC-③	YD●●●/QC-③/QC-③	YO●●●/QC-③/QC-③
	YD ●●●			/	/
		QC-④/YD●●●/QC-④	QC-③/YD●●●/QC-③		
		QC-④/QC-④/YD●●●	QC-③/QC-③/YD●●●		
	YO ●●●			/	/
		QC-④/YO●●●/QC-④	QC-③/YO●●●/QC-③		
		QC-④/QC-④/YO●●●	QC-③/QC-③/YO●●●		

5.2. Grommets and media ports for conference table, barrel table top

- ④ – Plastic element finish:
- W – white
- AU – aluminium
- B – black

		Grommets / media ports position
Plastic square grommet with round outlet Ø80 (QC)	QC-④	
		0/QC-④/0
Media port Power Frame 3M	YD ●●●	
		0/YD●●●/0

6. Panels

6.1. Desk panels

Upper fully upholstered, front – structure is made of wooden frame with soft fibreboard, with fabric cover, pinnable.

Panel thickness 32 mm, height 890 mm, edges rounded at 40 mm radius. Assembly with metal brackets to desk legs.

Brackets finish options: powder-coated in White aluminium (RAL 9006), Jet black (RAL 9005) or Pure white (RAL 9010) colour.

Panel types: one-side assembly (for single desk), two-sides assembly (for two desks simultaneously).

Modesty, front – made of melamine faced chipboard (MFC), thickness 18 mm, with edge in glue technology. Assembly with metal brackets pulled over table top edge.

Available shapes: rectangular or with edges rounded at 40 mm radius.

Brackets finish options: powder-coated in White aluminium (RAL 9006), Jet black (RAL 9005) or Pure white (RAL 9010) colour.

Modesty fully upholstered, front – structure is made of chipboard, thickness 16 mm, with fabric cover, edges rounded at 40 mm radius. Assembly with metal brackets pulled over table top edge.

Brackets finish options: powder-coated in White aluminium (RAL 9006), Jet black (RAL 9005) or Pure white (RAL 9010) colour.

Upper fully upholstered, front – structure is made of 8 mm raw chipboard with 8 mm soft fibreboard on both sides, with fabric cover, pinnable. Panel thickness 24 mm, upper edges rounded at 50 mm radius. Assembly with metal brackets pulled over table top edge. Upholstered panel is placed in U-shape bracket, and can be easily removed.

Brackets finish options: powder-coated in White aluminium (RAL 9006), Jet black (RAL 9005) or Traffic white (RAL 9016) colour.

Upper felt, front – made of thermoformed felt in light or dark grey colour with acoustic properties. Panel thickness 24 mm, upper edges rounded at 40 mm radius. Assembly with metal brackets

pulled over table top edge. Felt panel is placed in U-shape bracket, and can be easily removed.

Brackets finish options: powder-coated in White aluminium (RAL 9006), Jet black (RAL 9005) or Traffic white (RAL 9016) colour.

Note: simultaneous assembly of modesty and upper panel is not possible.

6.2 Workbench panels

Upper fully upholstered (high and low) – structure is made of wooden frame with soft fibreboard, with fabric cover, pinnable.

Panel thickness 32 mm, edges rounded at 40 mm radius.

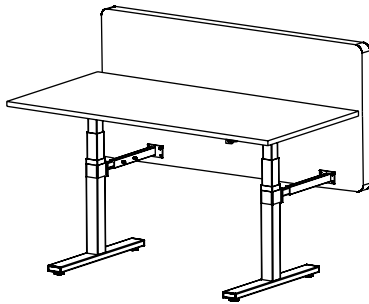
Assembly with metal brackets to workbench crossbeams.

Brackets finish options: powder-coated in White aluminium (RAL 9006), Jet black (RAL 9005) or Pure white (RAL 9010) colour.

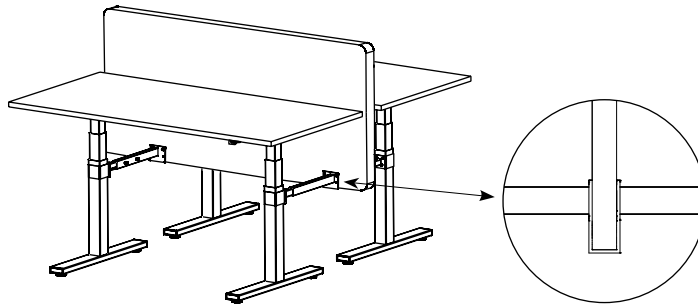
Panel types:

- high (height 700 mm),
- low (height 490 mm).

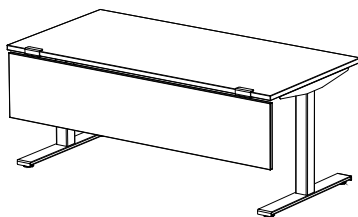
6.3 Product range



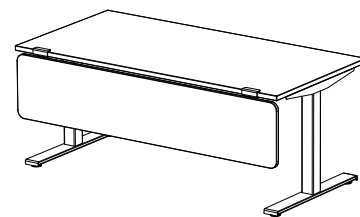
Upper desk panel, fully upholstered, front.
One-side assembly.



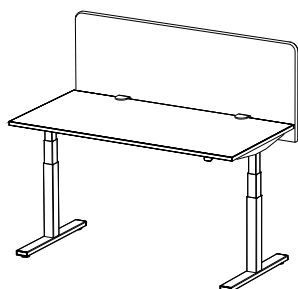
Upper desk panel, fully upholstered, front.
Two-sides assembly.



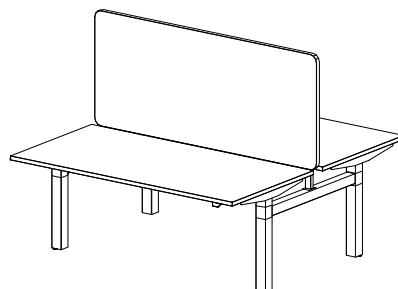
Modesty desk panel, front, rectangular:
– melamine faced chipboard (MFC)



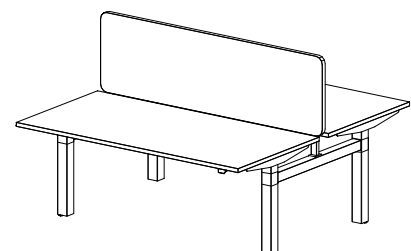
Modesty desk panel, front, rounded edges:
– fully upholstered
– melamine faced chipboard (MFC)



CS5040 upper desk panel, front:
– fully upholstered
– felt



Upper workbench panel, fully upholstered, high.



Upper workbench panel, fully upholstered, low.

Technical description

7. Cable management

Horizontal wire trunkings

Foldable 1 – made of steel sheet, thickness 1 mm, powder-coated in White aluminium (RAL 9006), Jet black (RAL 9005) or Pure white (RAL 9010) colour. Wire trunking includes holes for integration with vertical wire trunking, flexible modular. Fixing directly to table top with dedicated plastic brackets.

Foldable 2 – made of steel sheet, thickness 1 mm, powder-coated in White aluminium (RAL 9006), Jet black (RAL 9005) or Pure white (RAL 9010) colour. Wire trunking includes holes for integration with vertical wire trunking, flexible modular. Fixing directly to table top with dedicated plastic brackets.

Foldable, basket – made of rod, powder-coated in White aluminium (RAL 9006), Jet black (RAL 9005) or Pure white (RAL 9010) colour. Fixing directly to the table top with black plastic brackets.

Adjustable – made of steel sheet, thickness 1 mm, powder-coated in White aluminium (RAL 9006), Jet black (RAL 9005) or Pure white (RAL 9010) colour. Wire trunking includes holes for integration with vertical wire trunking, flexible modular. Fixing directly to table top. Applicable to all desks widths.

Shared (dedicated to workbench) – made of steel sheet, thickness 1 mm, with metal cover, powder-coated in White aluminium (RAL 9006), Jet black (RAL 9005) or Pure white (RAL 9010) colour. Fixing directly to workbench crossbeams. Applicable to all workbench widths.

Vertical wire trunkings

Flexible spring – made of plastic in alu or black colour, or transparent. Fixing directly to table top desks and workbenches.

Flexible modular (fixing to table top) – made of plastic in alu, black or white colour.

Flexible modular (fixing to horizontal wire trunking) – made of plastic in alu, black or white colour.

Flexible modular with magnet (fixing to table top) – upper part made of plastic in alu, black or white colour. Bottom part made of powder-coated steel powder-coated in White aluminium (RAL 9006), Jet black (RAL 9005) or Pure white (RAL 9010) colour. Upper part fixing directly to table top and bottom part fixing directly to desk leg via magnet.

Flexible modular with magnet (fixing to horizontal wire trunking) – upper part made of plastic in alu, black or white colour. Bottom

part made of powder-coated steel powder-coated in White aluminium (RAL 9006), Jet black (RAL 9005) or Pure white (RAL 9010) colour. **Flexible modular shared (dedicated to workbench)** – made of plastic in alu, black or white colour. Set consists of three elements. Two upper elements are fixed directly to table top, connected to horizontal shared wire trunking. Bottom part assembled to shared horizontal wire trunking.

Cable covers

Cable cover for desks and workbenches – made of steel sheet, thickness 0,8 mm, powder-coated in White aluminium (RAL 9006), Jet black (RAL 9005) or Pure white (RAL 9010) colour. The length of the cover is adapted to the length of the frames. Covers are equipped with ventilation holes for the control box and cut outs allowing to fold the desk legs. Assembly to frame holes with black rubber glands. Covers can be disassembled if necessary.

8. Technical regulations, certificates and quality marks (for selected product configurations)

GS safety certificate.